

ADJUSTABLE ROUGH-IN FIXTURE AND DUCTILE IRON GRATE

» 832 SERIES

FinishLine™

SPECIFICATION

Sioux Chief 832 series FinishLine adjustable floor drain rough-in fixture and ductile iron grate shall be used where necessary in drainage systems. Fixture shall allow adjustment before the concrete pour and incorporate a removable plug for replacement with 832-SD9 grate. Heel-resistant grate shall incorporate tapped lugs for optional leveling adjustment and meet all applicable load requirements for intended use. Trap primer port in drain body shall be threaded 1/2" FIP and plugged for optional connection. Designed in accordance with ASME A112.6.3

MATERIALS

Coring plug: High-impact polymer

Grate / Coring sleeve / Base adapter: Ductile iron

GRATE LOAD RATING

15,000 lbs. (Special-duty)

FREE AREA

21.9 in²

DIMENSIONS

A: Connection	4" No-Hub	6" No-Hub
B: Top diameter	9.25"	
C: Base adapter height	4-1/2"	5-3/8"
D: Overall height	5-3/8" – 6-7/8"	6-1/4" – 7-3/4"
E: Trap primer port	1/2" FIP thread - plugged	

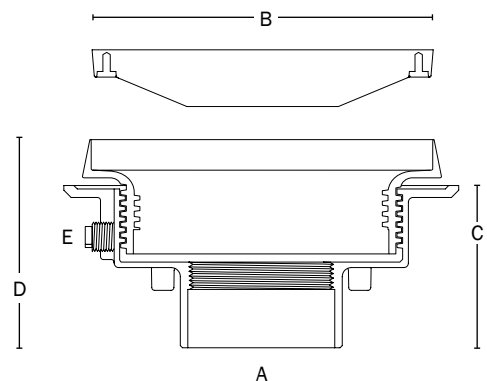
ITEM # SUBMITTED	_____
JOB NAME	_____
LOCATION	_____
ENGINEER	_____
CONTRACTOR	_____
PO#	_____ TAG _____



832-SD9



832-49DF



Item Numbers

DRAIN BODY WITH CORING PLUG:

832-49DF = 4" No-Hub

832-6DF = 6" No-Hub

DRAIN BODY OPTIONS:

C = Cast iron clamping collar

P = PVC Base adapter¹

GRATE:

832-SD9 = Ductile iron grate

Accessories - Available Separately:

832-WCQ: Flexible locating bristles kit

860-UMCQ: Stainless steel mesh debris basket

¹ In lieu of iron adapter (standard). PVC Base adapter has Sch. 40 hub connection